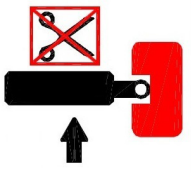
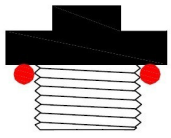
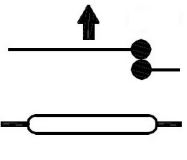
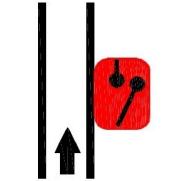
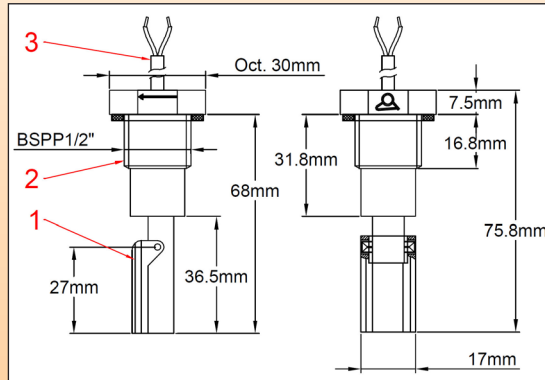
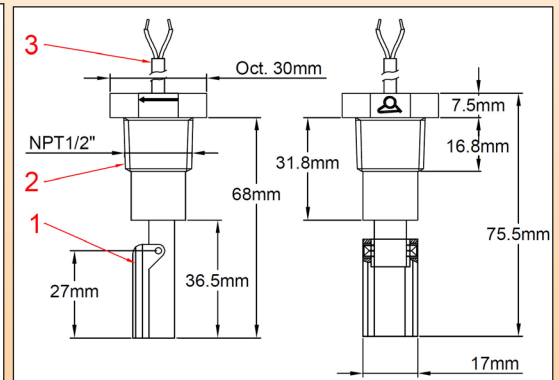


# Paddle flow switches, reed switch contact, 1/2" male thread, extended paddle arm, Types: R1Y and R1E

Pressure and size	Flow sensing: Gravity pull back paddle	Mounting: 1/2" male thread	Contact: Reed switch, Open on flow rise	Electrical rating	Mounting position	Type
<b>PN10</b> <b>DN63</b>				$\leq 1A$ $\leq 70W$ $\leq 250V\sim$		<b>R1Y</b> (BSPP) <b>R1E</b> (NPT)



1: Paddle    2: Body    3: Cable  
R1Y (1/2" BSPP)



1: Paddle    2: Body    3: Cable  
R1E (1/2" NPT)

**Main uses:** Cost effective simple flow switch developed for swimming pool application. For water flow detection on vertical dia. 63 mm water pipes, upstream flow.

**Functional principle:**

Balanced magnetic paddle mounted perpendicular to the flow and activating a reed switch through the wall. The return of the paddle is by gravity, without spring. No seal or liquid can pass between the piping system and the electrical contact. No metal parts (shaft, spring) in contact with the liquid. Suitable for corrosive water pools and spas and salination chlorination and bromination systems. Not to be used for water containing magnetic particles or high viscosity liquids, which block the movement of the paddle.

**Main housing material:** Polypropylene, resistant to ozone and water disinfection products, usable with potable water.

**Paddle:** Polypropylene, 17 mm width

**Paddle shaft:** Polypropylene

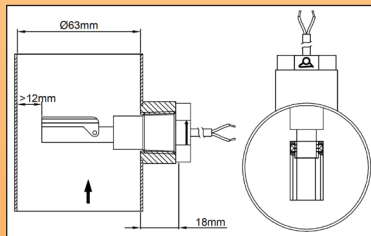
**Electrical rating:** Max 1A, Max 70W, Max 250V, resistive load. Use on inductive circuits reduces electrical rating. We recommend to protect the reed switch with contact protection device when used in inductive loads

**Electric contact type:** Normally close, open by flow rise

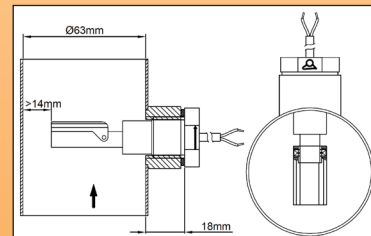
**Liquids compatibility:** For use with clean water and liquids without magnetic particles and without chemical incompatibility with polypropylene

**Nominal pressure at 20°C:** 1MPa (PN10)

### Mounting configurations



R1Y



R1E

### Average Flow detection values

Paddle length	Pipe ID (mm)											
	20		25		32		40		50		63	
	*Close	**Open	*Close	**Open	*Close	**Open	*Close	**Open	*Close	**Open	*Close	**Open
1											33	38

**\*\* Open by flow rise (L/min) of contact close at no flow position \* Close by flow decrease (L/min) of contact close at no flow position. Average values for indication only. Standard tolerances ±30%**

**Nominal diameter:** Can be used on 55 to 63 mm internal diameter pipes.

The paddle is not cleavable.

**Mandatory mounting position:** On vertical pipes, with horizontal flow switch axis, and paddle upside. **Upstream flow only.**

**Water pipe connection:** On female 1/2" fitting.

On the type with BSPP thread, a NBR gasket is supplied with the product. On the type with NPT thread, thread sealant must be used. Recommended torque: 7 Nm

**Liquids temperature range:** 5 to 80°C

**Ambient temperature range:** 5 to 50°C

**Ingress protection:** IP65

**Electrical connection:** 2 x AWG24 (0.2mm<sup>2</sup>) cable, PVC insulation, T80°, style UL2464.

**Installation instructions:**

- Check carefully the paddle orientation: The arrow on housing must be exactly parallel to the pipe
- A 5 mm minimum gap must be respected between end of the paddle and tube wall opposite to the fitting.
- We recommend the use of nozzles of length less than or equal to 18mm between the gasket seat and the inside of the tube and with an inner diameter greater than or equal to 20 mm, to avoid blocking of the paddle.

**Accessories:** 1/2" PVC saddles for DN40 to DN100 (OD) PVC pipes, and other fittings: see last section of this catalogue

**Options:** cable with connector or terminals, other cable length

### Main references

Thread	Cable length		
	500mm	1m	2m
1/2" BSPP	R1Y622768F45P050	R1Y622768F45P100	R1Y622768F45P200
1/2" NPT	R1E622768F25P050	R1E622768F25P100	R1E622768F25P200

Because of permanent improvement of our products, drawings, descriptions, features used on these data sheets are for guidance only and can be modified without prior advice

